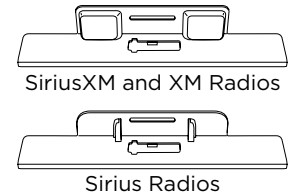


SiriusXM SXSD2 Troubleshooting Information

The SXSD2 Portable Speaker Dock comes with two Radio Dock Adapters, one for SiriusXM and XM Radios, and one for Sirius Radios.

A faulty installation of a Radio Dock Adapter may result in the radio displaying a message similar to:

- Antenna Disconnected or Damaged
- Acquiring Signal
- Antenna Not Detected

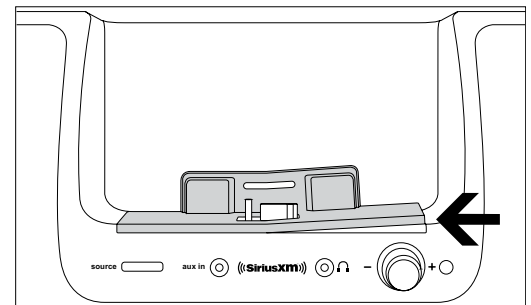


If this occurs, it is likely that the Radio Dock Adapter is not fully seated in the Portable Speaker Dock.

Closely examine the Radio Dock Adapter to confirm that it is completely seated into the Portable Speaker Dock. Some examples of faulty installations of the Radio Dock Adapter are shown below. If you are experiencing a problem, check for all the possible faulty installations shown, because more than one problem may exist.

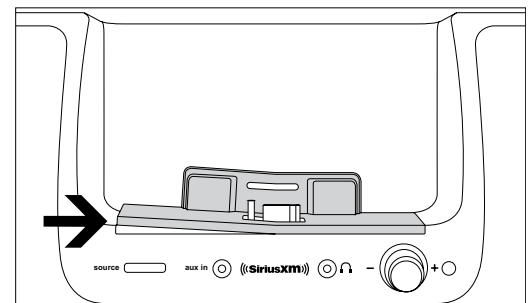
In this example, the right side of the Radio Dock Adapter has not been fully seated into the Portable Speaker Dock.

Press the Radio Dock Adapter down until the adapter is flush with the dock.



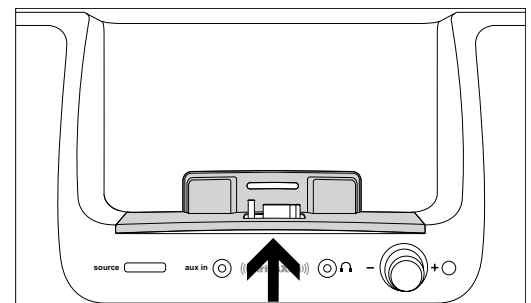
In this example, the left side of the Radio Dock Adapter has not been fully seated into the Portable Speaker Dock.

Press the Radio Dock Adapter down until the adapter is flush with the dock.



In this example, the center of the Radio Dock Adapter has not been fully seated into the Portable Speaker Dock.

Press the Radio Dock Adapter down until the adapter is flush with the dock.



In this example, the back of the Radio Dock Adapter has not been fully seated against the back of the Portable Speaker Dock. (Look down from the top of the Portable Speaker Dock to see this faulty installation.)

Press the Radio Dock Adapter back until the adapter is flush with the back of dock.

